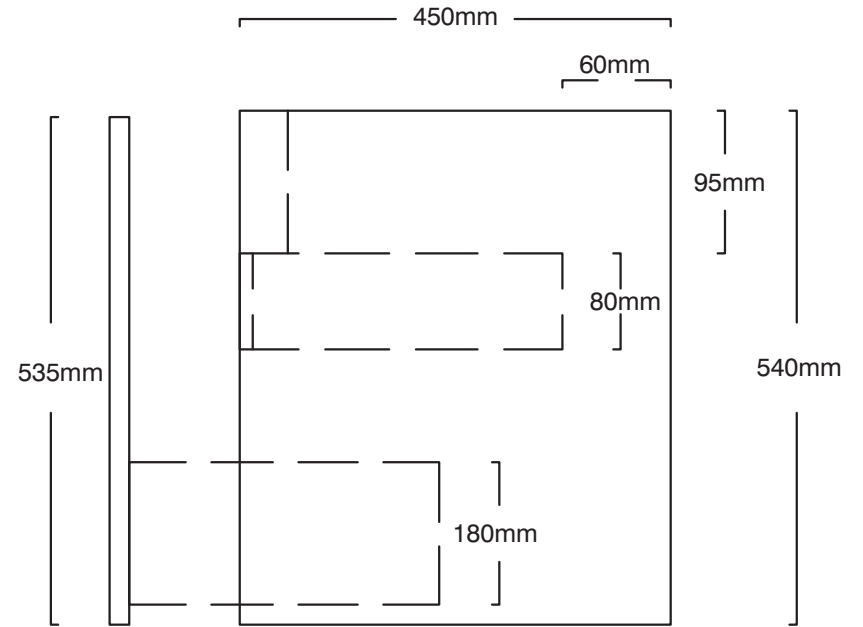
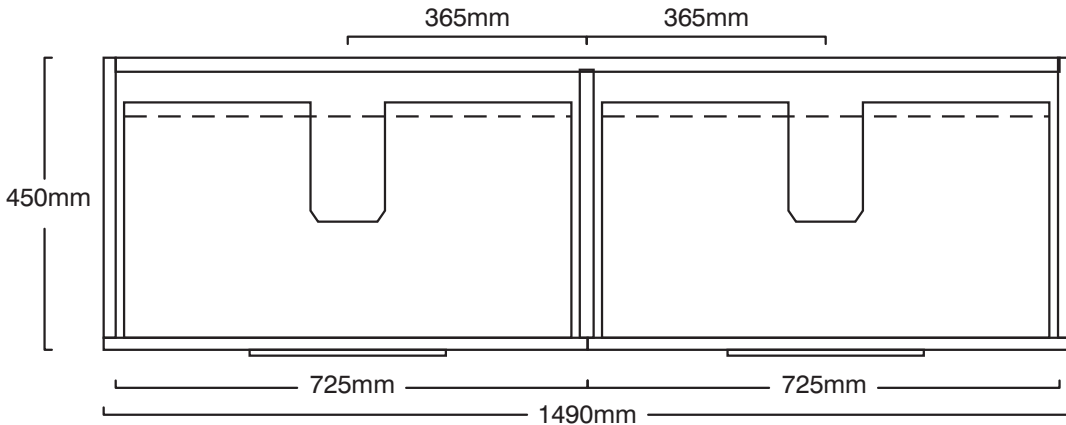


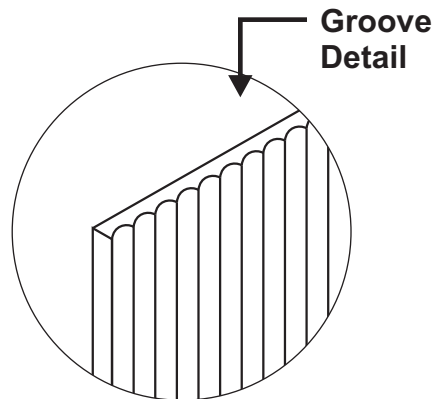
**Front View**



**Side View**



**Top View**



**Groove Detail**



[www.fifthavenuebf.com.au](http://www.fifthavenuebf.com.au)

**SKU: ALI15WM**

<b>Specifications:</b>	1490Wx450Dx540H
<b>Configuration:</b>	Two drawers and Two hidden drawers
<b>Hardware:</b>	European drawer glides with 3D adjustments
<b>Compatible benchtops and basins:</b>	a. Tops - Valencia timber top & Caesarstone top b. Bench mount and Inset basins only
<b>Warranty:</b>	10 years*

**Notes:** Plumbing rough in only should be performed once product on site and checked.