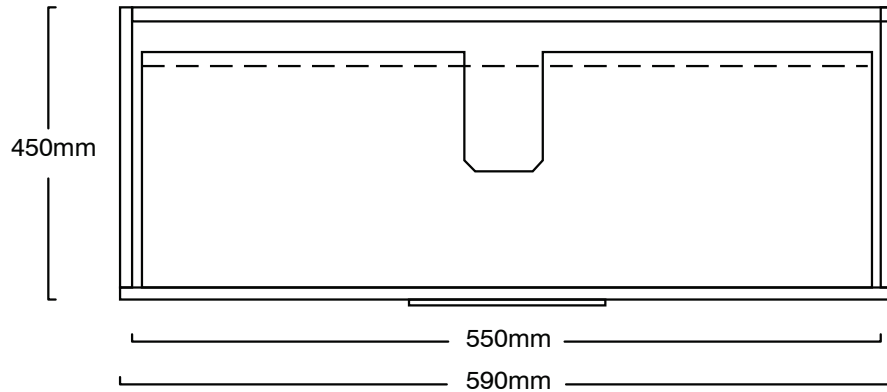
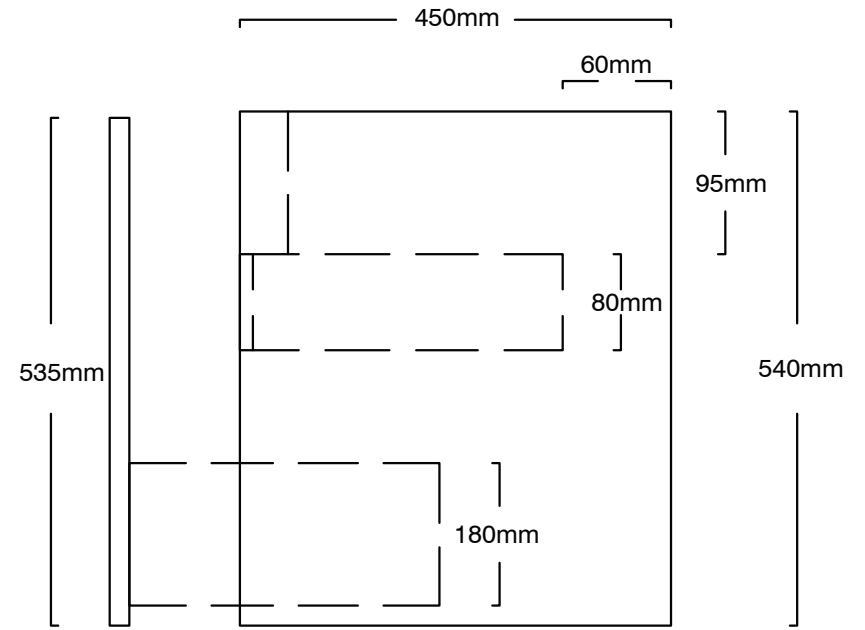
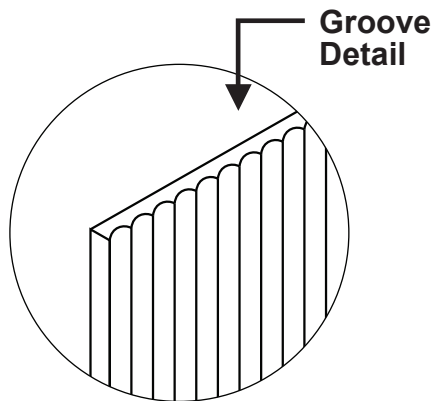


Front View



Top View



Side View



www.fifthavenuebf.com.au

SKU: ALI60MW

Specifications:	590Wx450Dx540H
Configuration:	One drawer and One hidden drawer
Hardware:	European drawer glides with 3D adjustments
Compatible benchtops and basins:	a.. Tops - Valencia timber top & Caesarstone top b. Bench mount and Inset basins only
Warranty:	10 years*

Notes: Plumbing rough in only should be performed once product on site and checked.