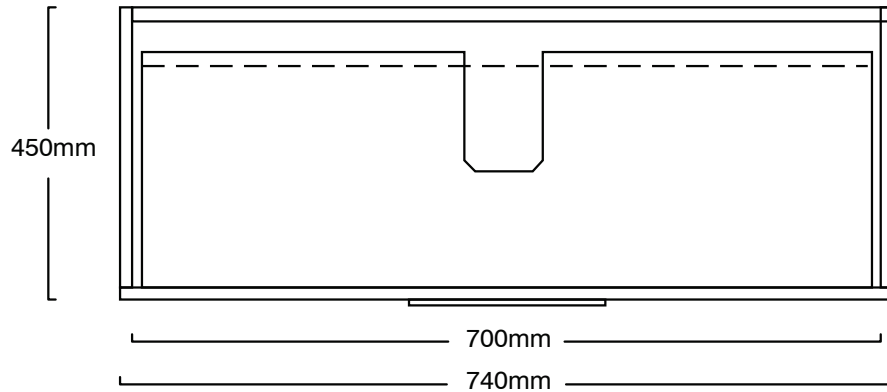
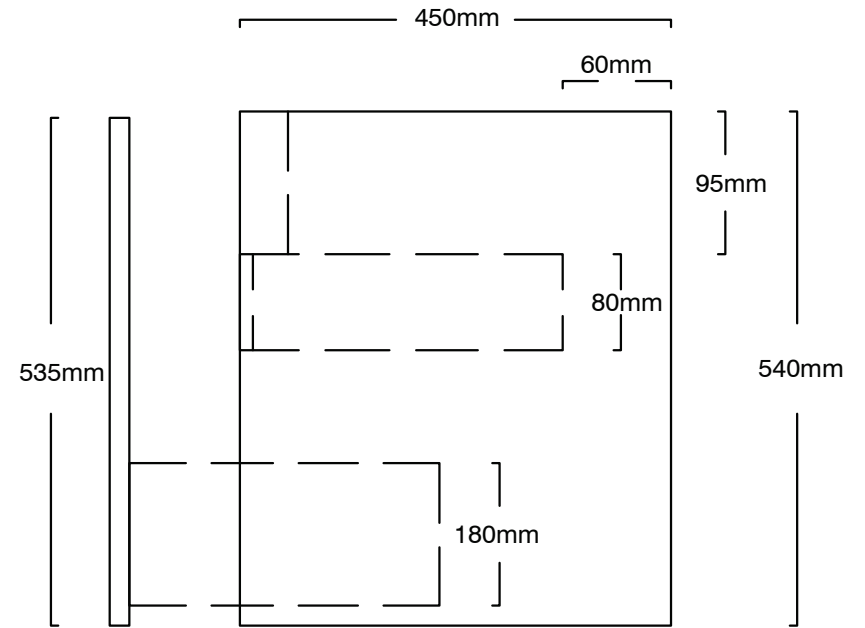
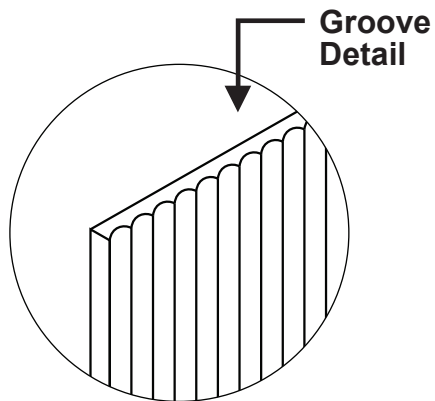


Front View



Top View



Side View



www.fifthavenuebf.com.au

SKU: ALI75MW

| | |
|---|---|
| Specifications: | 740Wx450Dx540H |
| Configuration: | One drawer and One hidden drawer |
| Hardware: | European drawer glides with 3D adjustments |
| Compatible benchtops and basins: | a. Tops - Valencia timber top & Caesarstone top b. Bench mount and Inset basins only |
| Warranty: | 10 years* |

Notes: Plumbing rough in only should be performed once product on site and checked.