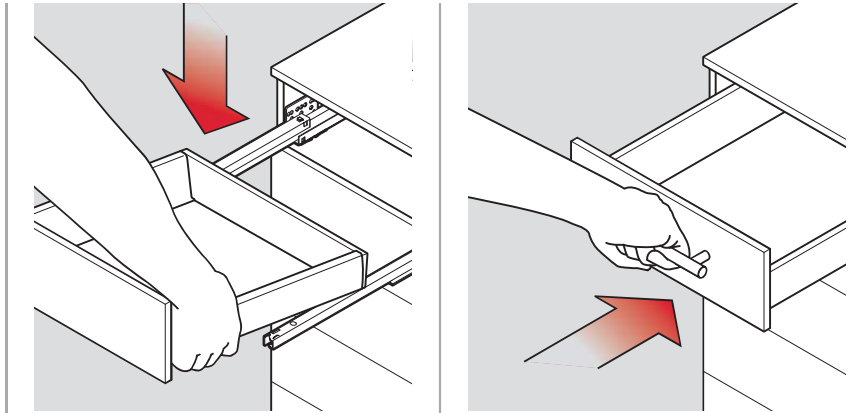


Technical information

for Dynapro.

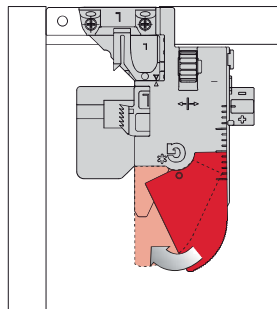
Engaging the drawer

Place drawer on extended Dynapro slide and slide on until it engages audibly



Disengaging the drawer

Pull the drawer out, operate the locking device levers and lift drawer from the slide.

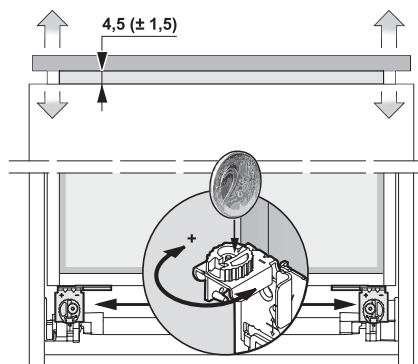


Front gap adjustment Dynapro Tipmatic Plus

Front gap adjustment

Safe opening and closing of the drawer depends on the front gap adjustment (factory setting 4.5 mm).

Depth adjustment possible on both sides (2 clicks = approx. 1 mm)

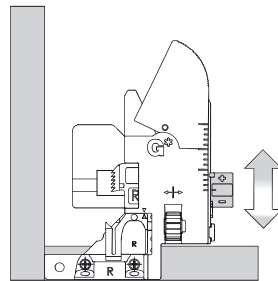
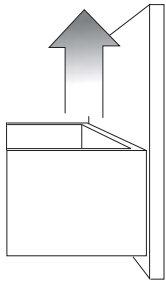


Note

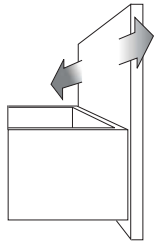
Fixing the cabinet members:

The recommendations for screws are guidelines only. Installers need to ensure that the fixing substrate is adequate.

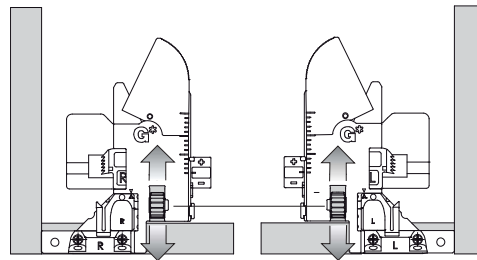
Height adjustment (max. +3.5 mm) Dynapro Tipmatic Plus and Dynapro Soft-close



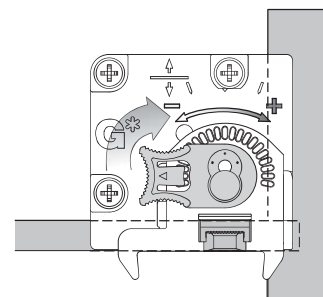
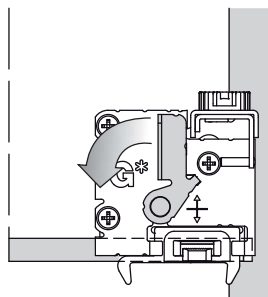
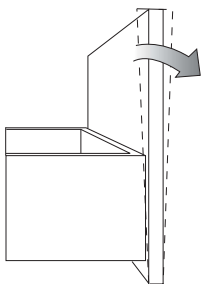
Side adjustment (max. ± 1.5 mm) Dynapro Tipmatic Plus and Dynapro Soft-close



- 1 Adjust both wheels in the same direction
- 2 Disengage drawer
- 3 Engage drawer



Tilt adjustment (max. +4.0 mm) Dynapro Tipmatic Plus Dynapro Soft-close



System information

Slides

Organisation and railing systems

Accessories and assembly aides

Technical information



Grass GmbH
Movement-Systems
Grass Platz 1
A 6973 Höchst, Austria
Phone +43 (0) 5578 701-0
Fax +43 (0) 5578 701-59
E-Mail info@grass.eu

www.grass.at