

PRE-INSTALLATION STEPS:

Checklist to Follow:

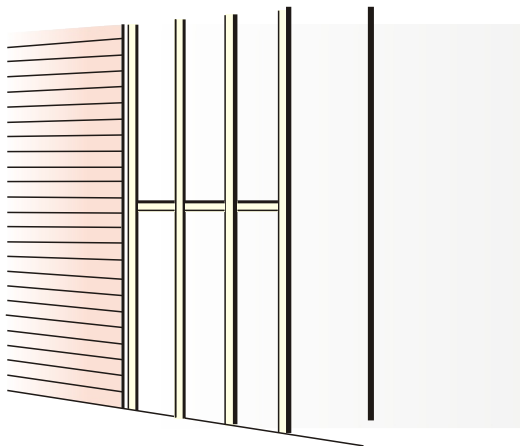
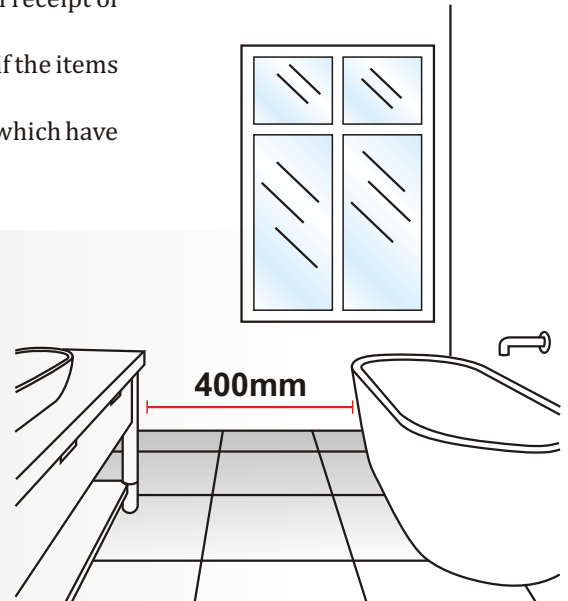
- Prior to opening any packaging, check that the items you have received match the items on your invoice. If any items differ to what you should have received please contact your retailer immediately.
- Products should be opened and checked for damages within 48 hours of receipt of goods.
- Claims for damages and incorrect items delivered will not be processed if the items have been installed or attempted to have been installed.
- All FABF vanities must be installed with tiles behind them. Any vanities which have been "tiled in" will be void of warranty

1

POSITIONING:

All FABF vanities must be installed a minimum of 400mm away from designated wet areas and heating units.

Ventilation is important to prevent mould & moisture build up.



2

SUPPORT BEAMS TO HANG THE VANITY:

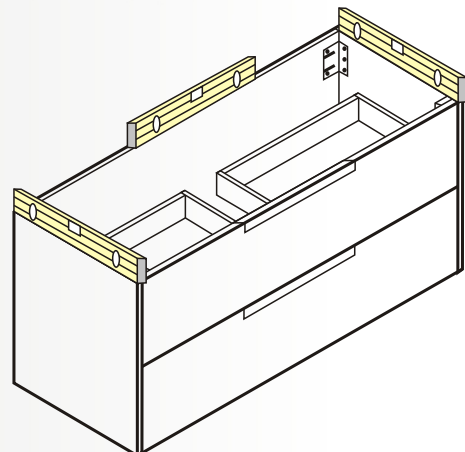
It is mandatory that the vanity to be secured to the stud and noggins which is behind your plaster board and tiling.

3

CHECK YOUR WALL LEVELS:

Ensure your tiled wall is not bowed or twisted in either direction. Installation onto a bowed or twisted wall may result in any or all of the following occurring:

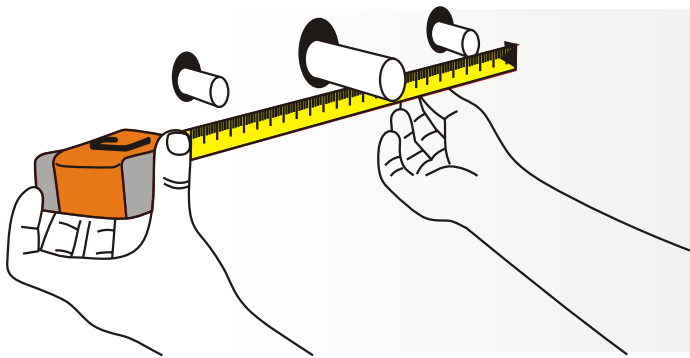
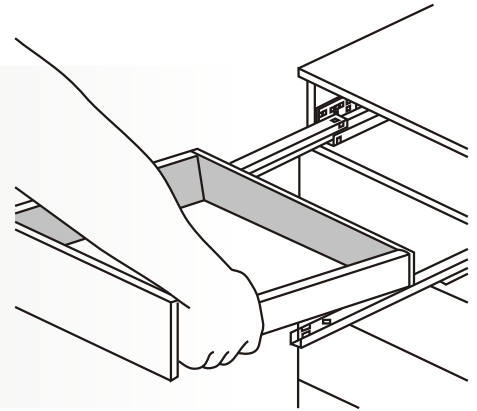
- a. Cracks in joinery
- b. Drawer misalignments
- c. Hardware not performing correctly.



INSTALLATION STEPS:

1

Remove all drawers by following the provided GRASS Installation Guide. Exposed runners should be covered prior to re-fitting the drawers to prevent dirt and dust build up.

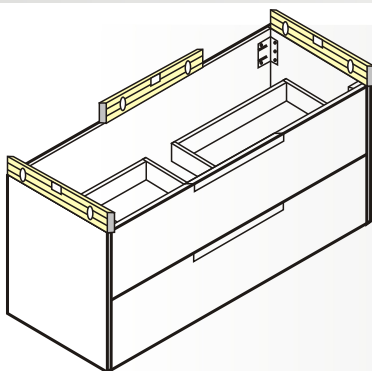
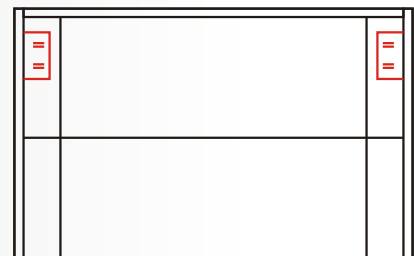


2

Measure and cut any necessary plumbing points.

3

Secure the vanity to the wall using appropriate fixings for both the weight of the vanity and the wall material. Fixings should be secured through the pre-drilled steel plates for maximum strength.



4

Prior to final fixing of the vanity unit check that the front, back, sides, and the diagonals are level.

LEVEL : Front Back Diagonal Sides

5

Once the benchtop and plumbing fixtures have been fitted, install and adjust drawers by following the provided GRASS Installation Guide.

6

All vanities must be properly secured to the wall using appropriate fixings. Neutral cure silicone should be used to seal any gaps between the vanity and the wall to prevent the flow of water into the vanity. All benchtops mounted on Fifth Avenue Bathroom Furniture vanities must be secured to the vanity using neutral cure silicone in a way which prevents water from penetrating the vanity.

7

It is the installer's responsibility to adjust the drawers and railings, after the vanity is installed.